

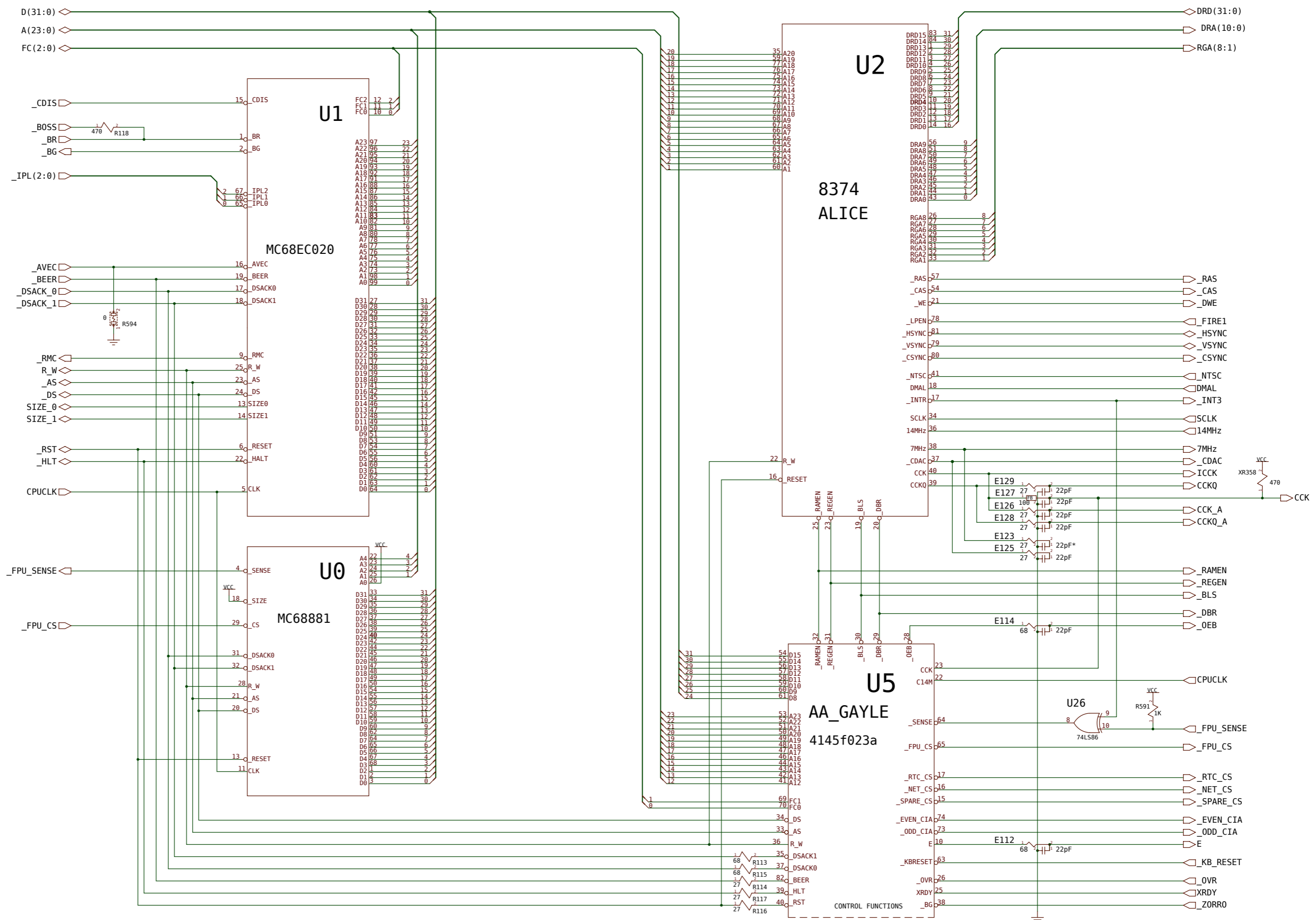
Amiga

A1200_R2

Rev.1.38 (06.09.2012)



www.amigawiki.org



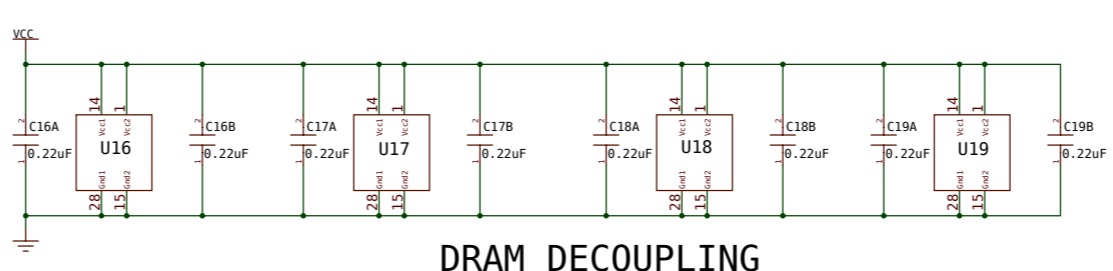
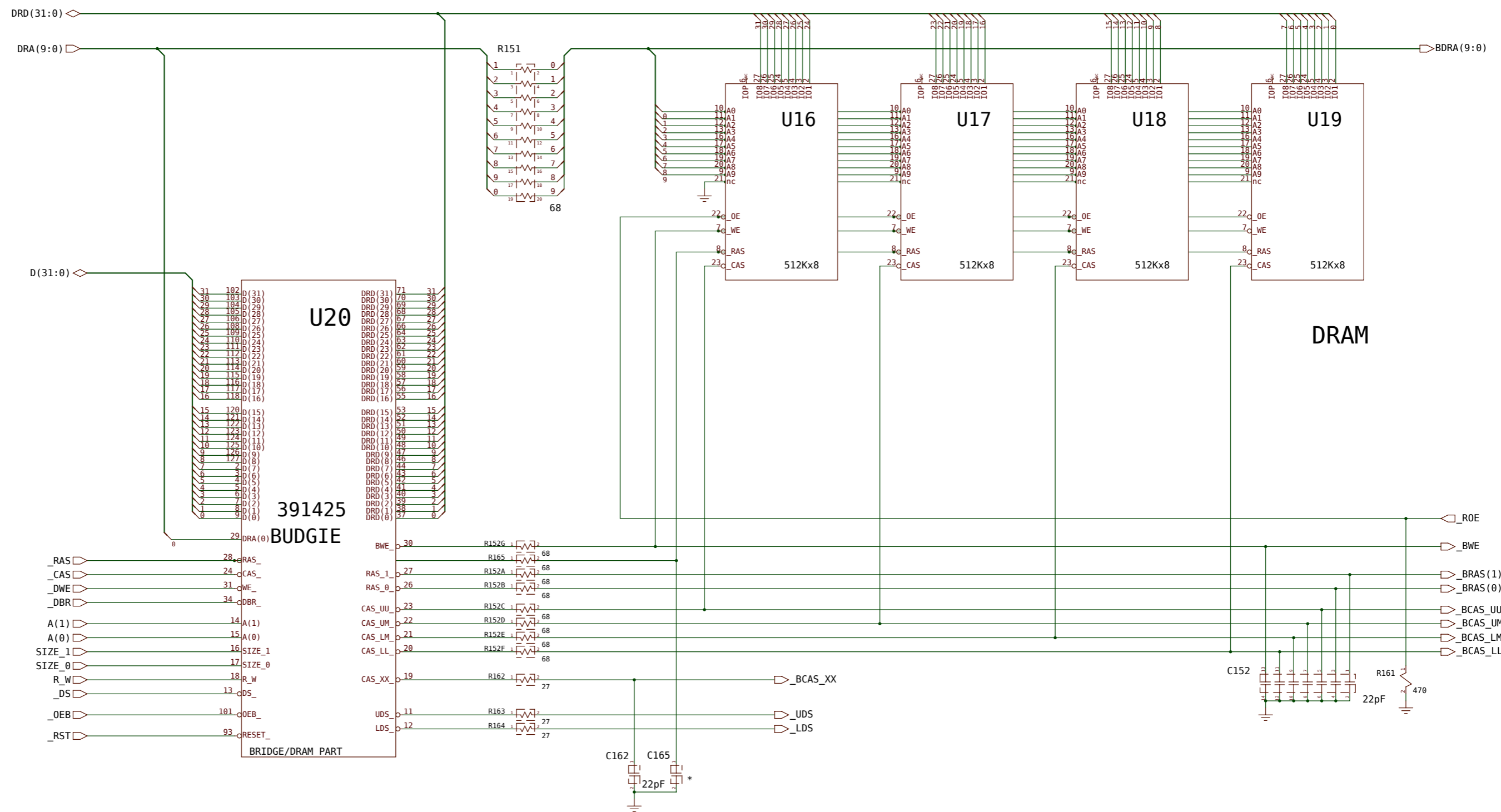
Channel Z
A1200 Rev 2 PCB

04/19/92

Note: Various components are for EMI Control and may be loaded with funny things...

© 1991 Commodore Business Machines Information contained herein is the unpublished, confidential and trade secret property of Commodore Business Machines, Inc. Any use, reproduction or disclosure of this information without the prior written permission of Commodore is strictly prohibited.		Commodore Schematic A1200 R2 C/A1200 Main Board "Channel Z"	
DESIGN BY: G. Robbins DATE: 03/23/92 DRAWN: GRR CHECKED: JRM DATE: 02/25/92 US100 OR: C/A1200 NEXT ASSY: 365132	SIZE: C SCALE: 1:1 SHEET: 2 OF 13	C.A.D. Generated No manual changes may be made to this document	PROJECT: a1200/channel_z.cn2_ssheet2

100-115 Rev. 04. 04. 2002

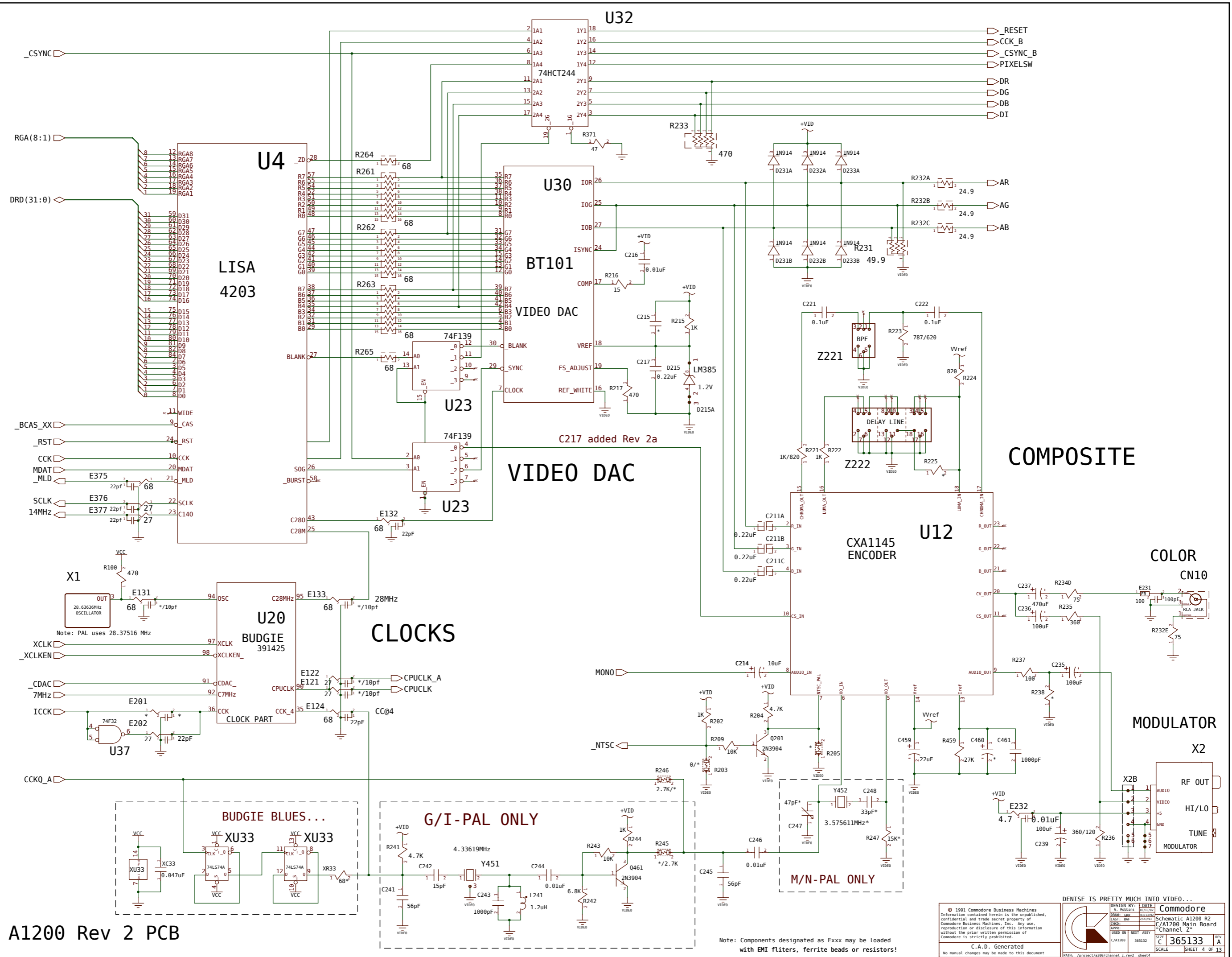


A1200 Rev 2 PCB

Rev. 1.00 (04.06.2021)

© rebuild for www.amigawiki.org · for private use only

© 1991 Commodore Business Machines Information contained herein is the unpublished, confidential and trade secret property of Commodore Business Machines, Inc. Any use, reproduction or disclosure of this information without the prior written permission of Commodore is strictly prohibited.		<p>DESIGN BY: G. Robbins</p> <p>DATE: 03/22/92</p> <p>DRWG: GRR</p> <p>LAST. MOD: 03/22/92</p> <p>CHNG: C</p> <p>APPR: C</p> <p>USED ON: C/A1200</p> <p>NEXT ASSY: 365132</p> <p>SCALE: C</p>	
C.A.D. Generated No manual changes may be made to this document		<p>Commodore</p> <p>Schematic A1200 R2 C/A1200 Main Board "Channel Z"</p> <p>SIZE: A</p> <p>REV: A</p> <p>SHEET 3 OF 13</p> <p>DATE: /project/a300/channel_z.cn2 sheet3</p>	



A1200 Rev 2 PCB

rebuild for www.amigawiki.org - for private use only

Note: Components designated as Exxx may be loaded with EMI filters, ferrite beads or resistors!

© 1991 Commodore Business Machines
 Information contained herein is the unpublished, confidential and trade secret property of Commodore Business Machines, Inc. Any use, reproduction or disclosure of this information without the prior written permission of Commodore is strictly prohibited.

DESIGN BY: G. Robbins
 DATE: 03/21/92
 BOARD: 200
 LAST: 04/22/92
 CMBD: 0
 APPR: 0

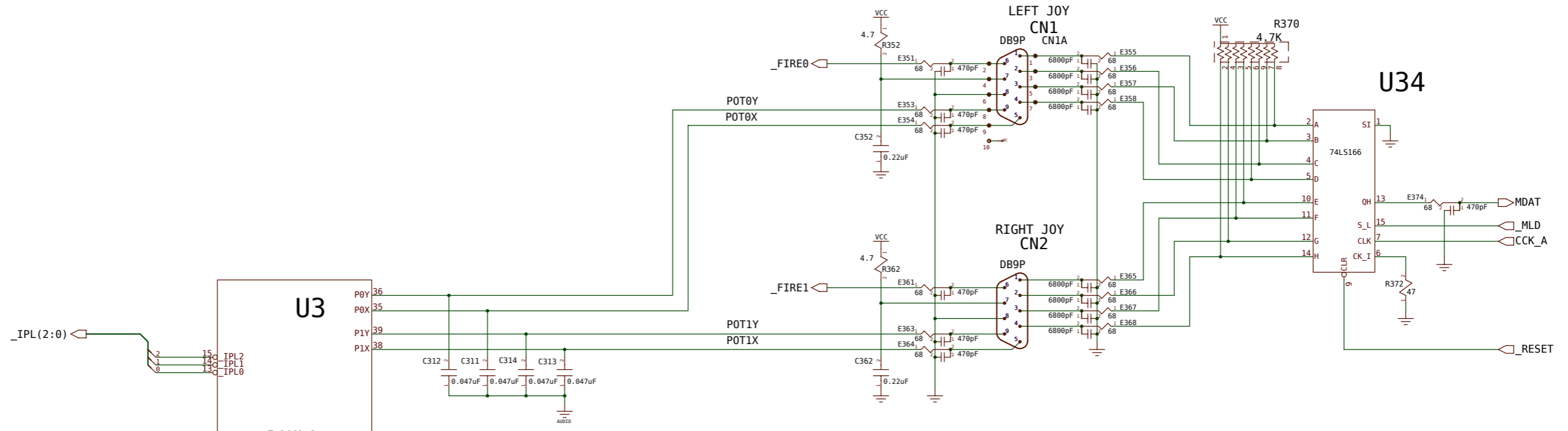
USID ON: C/A1200
 NEXT ASSY: 365132
 SCALE: 1:1

Commodore
 Schematic A1200 R2
 C/A1200 Main Board
 Channel Z

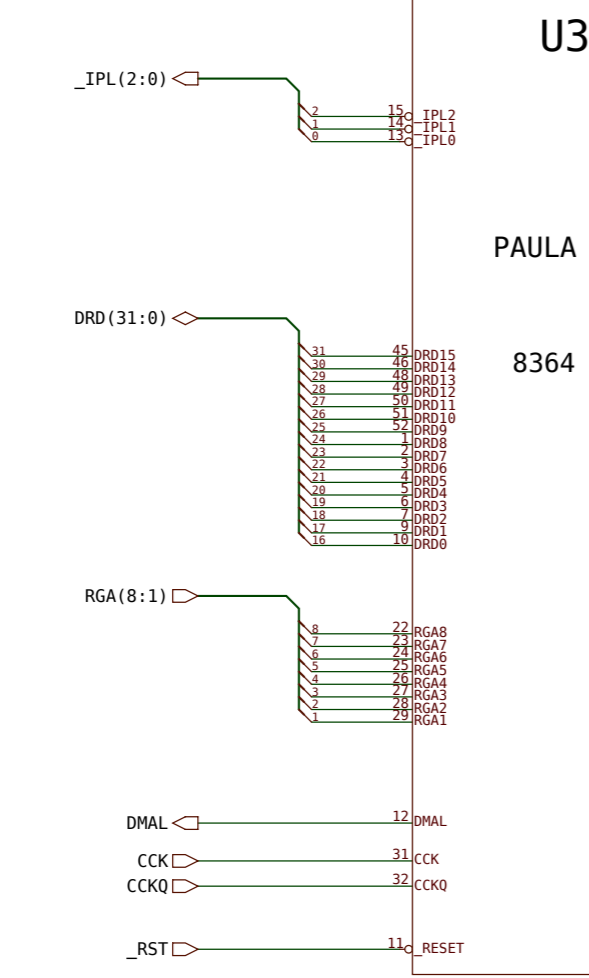
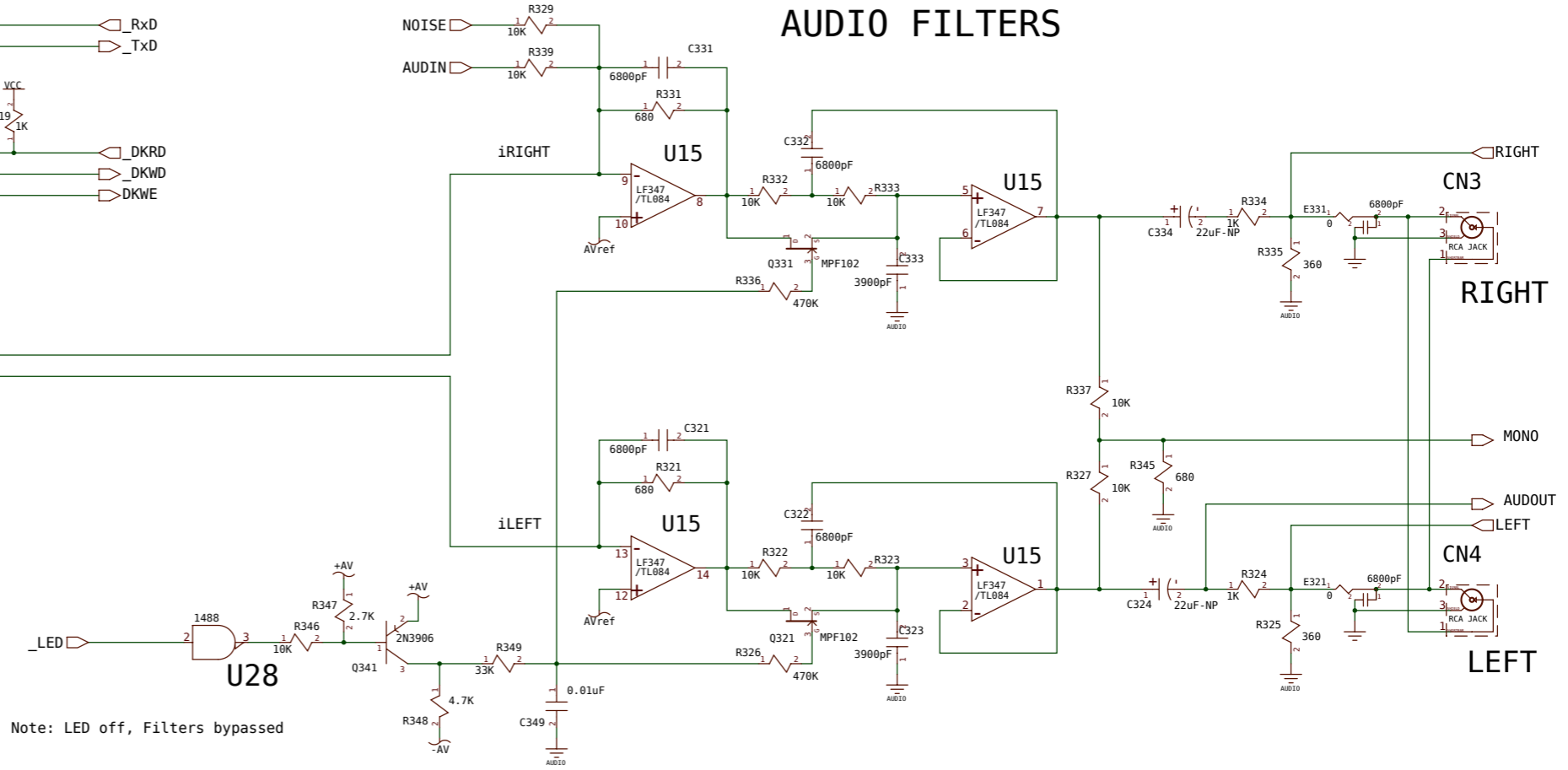
C.A.D. Generated
 No manual changes may be made to this document

Denise is pretty much into video...
 PATH: z:\proj\c300\channel1_r_rev2_sht04

MOUSE/JOYSTICK PORTS



AUDIO FILTERS



A1200 Rev 2 PCB

rebuild for www.amigawiki.org · for private use only

PAULA PREFERS THE TRADITIONAL MODES

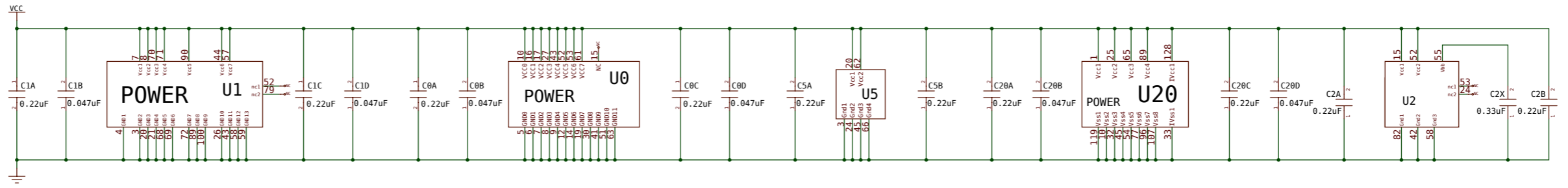
DESIGN BY: G. Robbins	DATE: 03/22/92
ORIG: 208	REV: 01/01/92
LAST: 208	REV: 01/01/92
CHG: 208	REV: 01/01/92
USID OR: C/A1200	NEXT ASSY: 365132
SIZE: C	SCALE: 365133
REV: A	SHEET: 5 OF 13

© 1991 Commodore Business Machines
Information contained herein is the unpublished, confidential and trade secret property of Commodore Business Machines, Inc. Any use, reproduction or disclosure of this information without the prior written permission of Commodore is strictly prohibited.

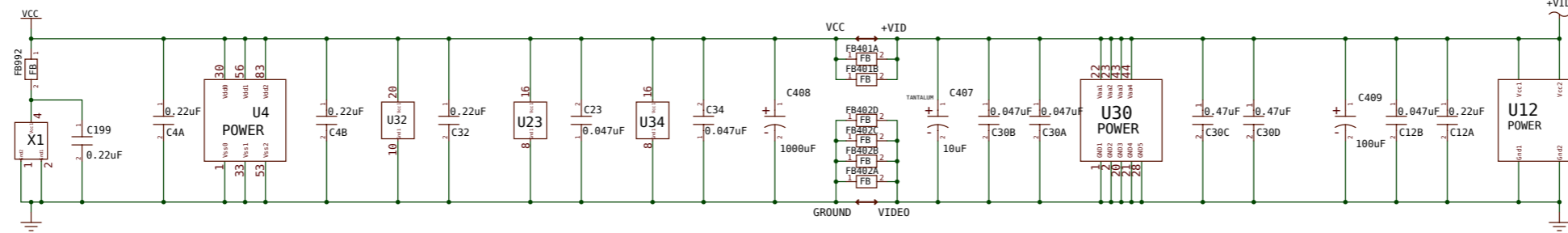
C.A.D. Generated
No manual changes may be made to this document

PATH: /project/a1200/channel_2.cnt sheet5

GENERAL DECOUPLING

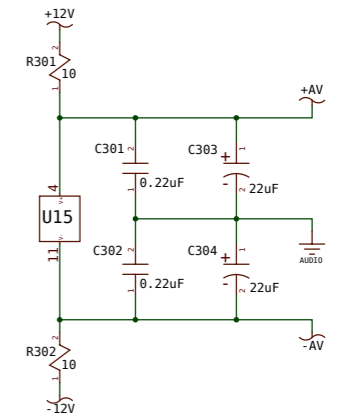


VIDEO DECOUPLING

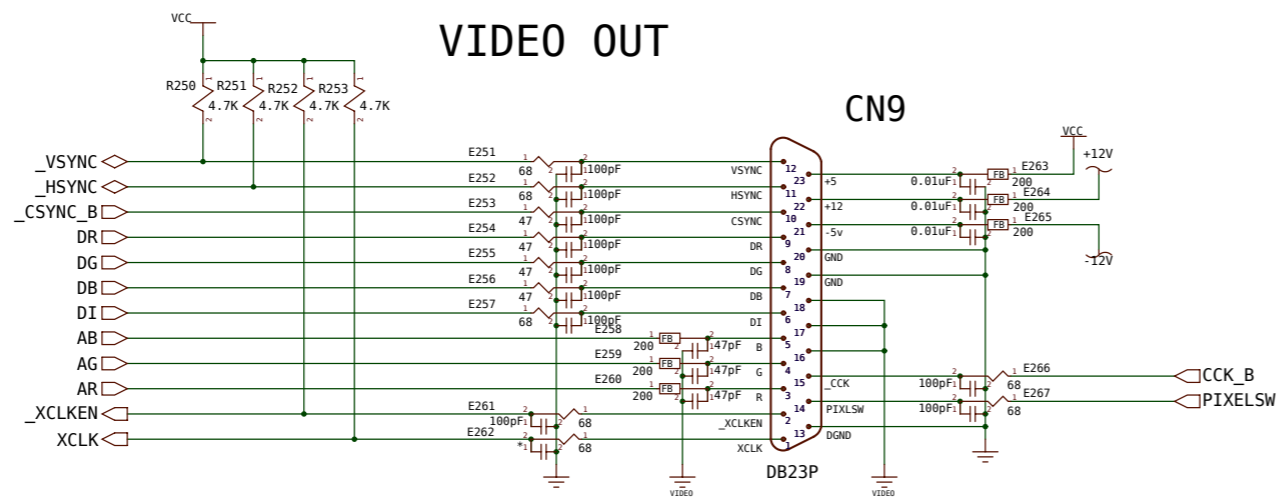


Note: Common Ground at DAC

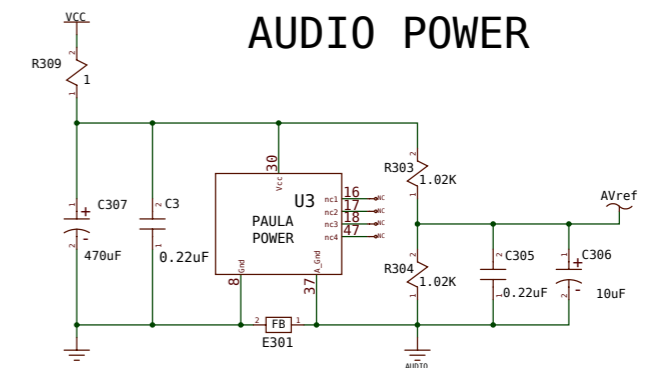
AUDIO DECOUPLING



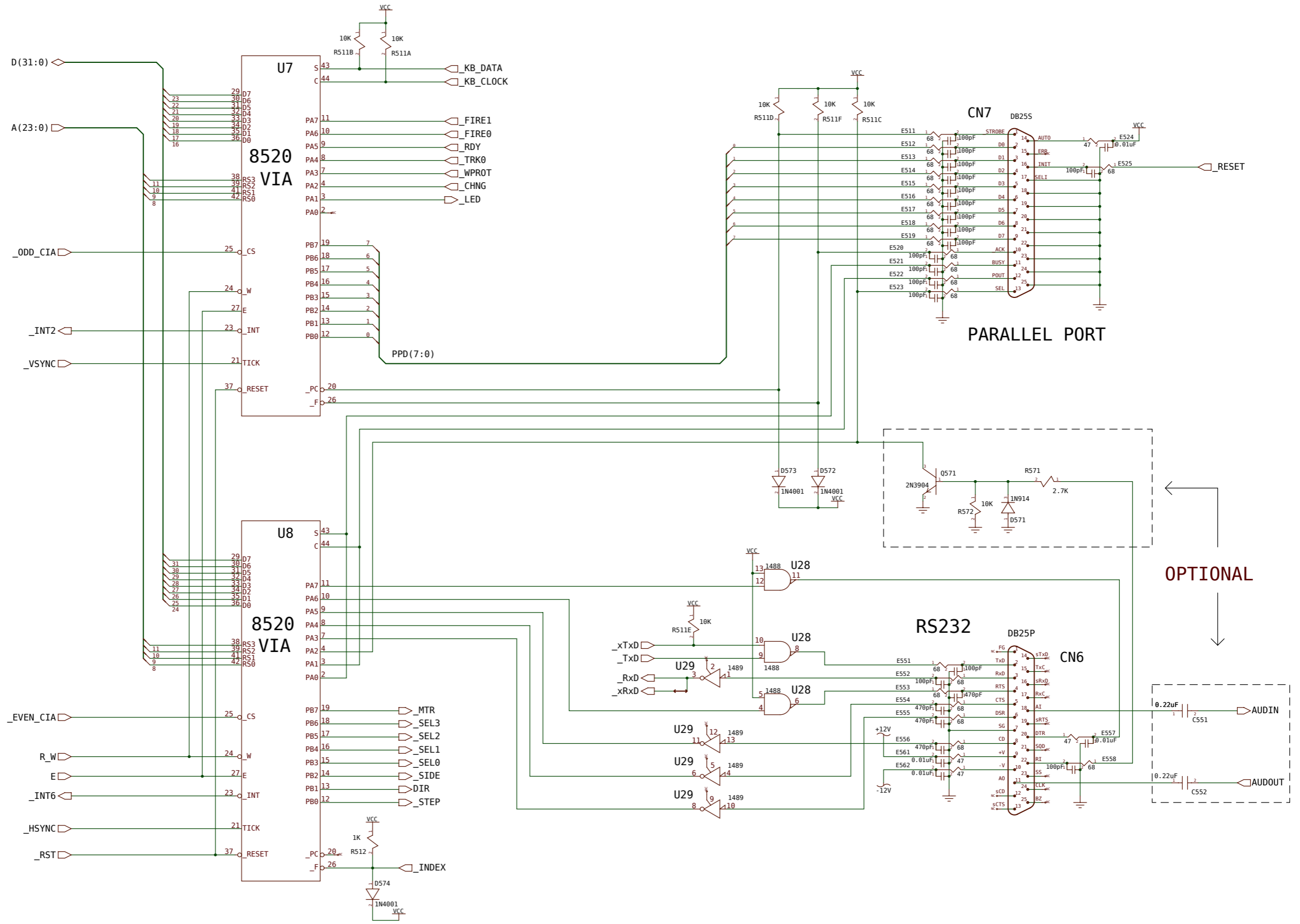
VIDEO OUT



AUDIO POWER



Note: Common Ground near Jacks



A1200 Rev 2 PCB

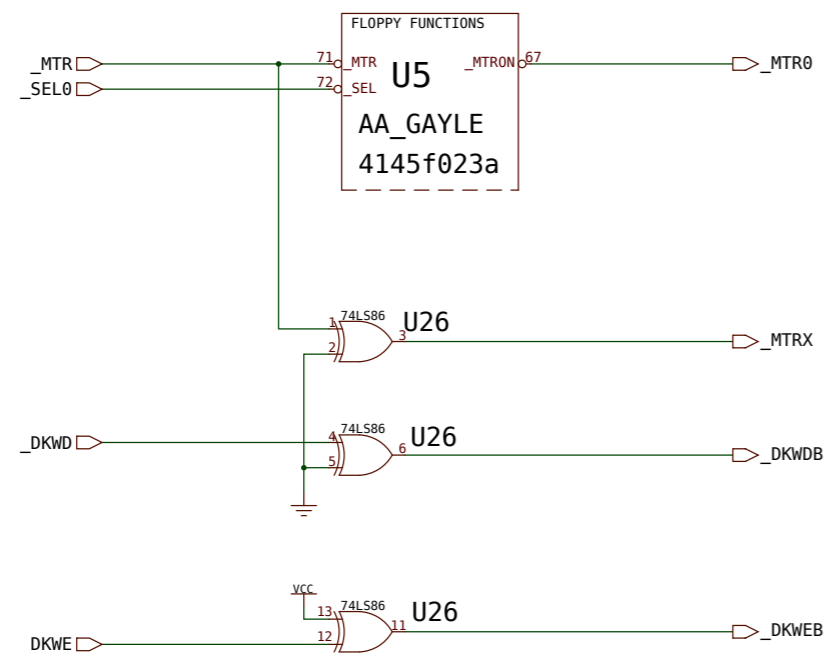
rebuild for www.amigawiki.org · for private use only

SERIAL AND PARALLEL PORTS

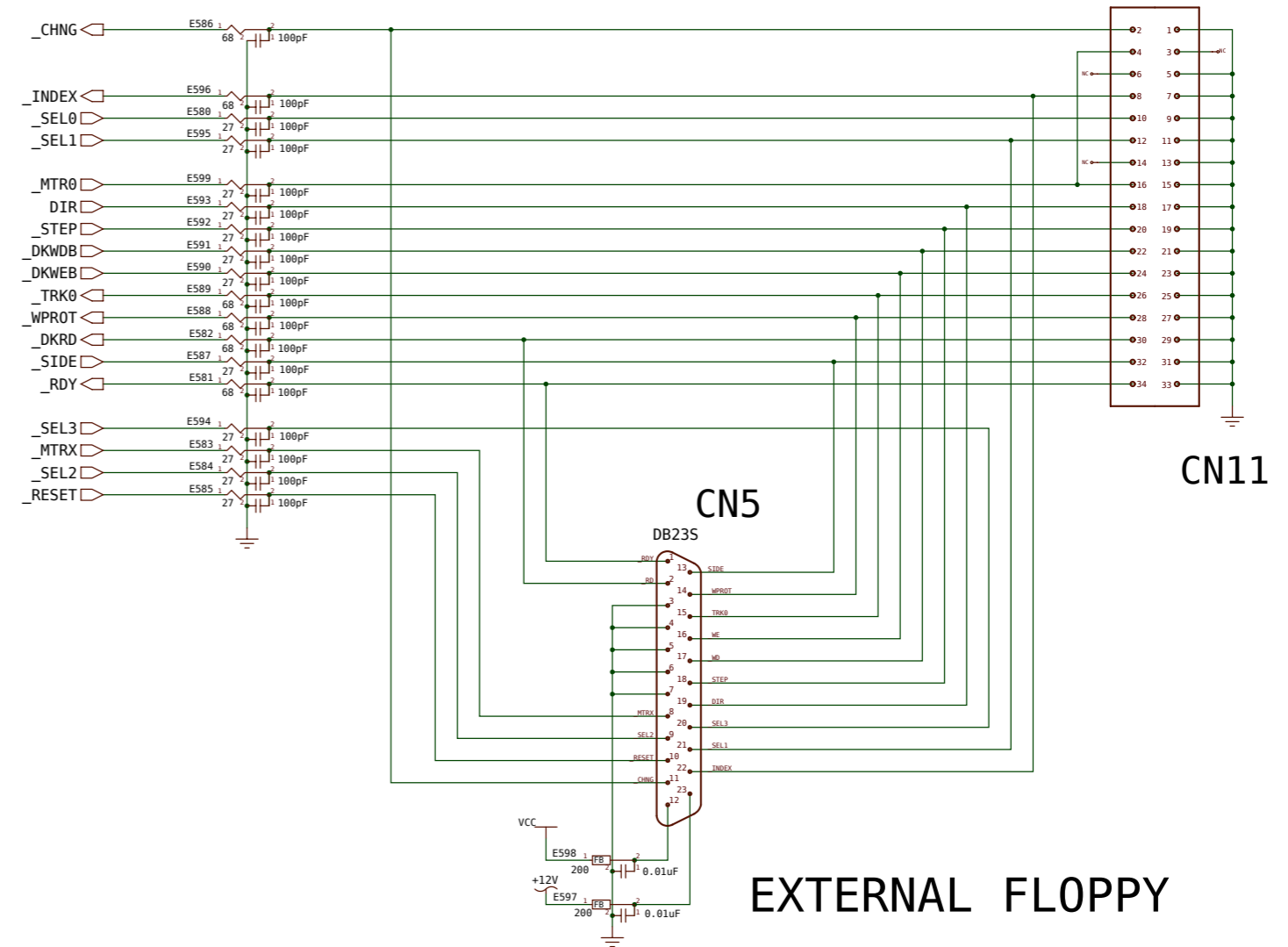
DESIGN BY: G. Robbins	DATE: 03/22/92	Commodore Schematic A1200 R2 C/A1200 Main Board Channel Z
DESIGN NO: C/A1200	REV: 365132	
SCALE: C	SHEET: 7 OF 13	
C.A.D. Generated	NO manual changes may be made to this document	

Rev. 1.00 06.05.2011

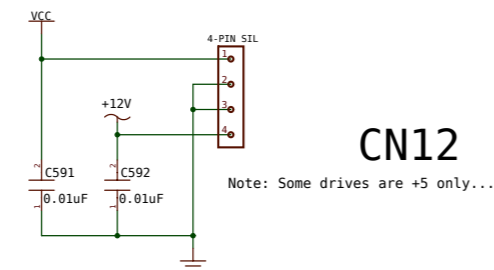
FLOPPY LOGIC



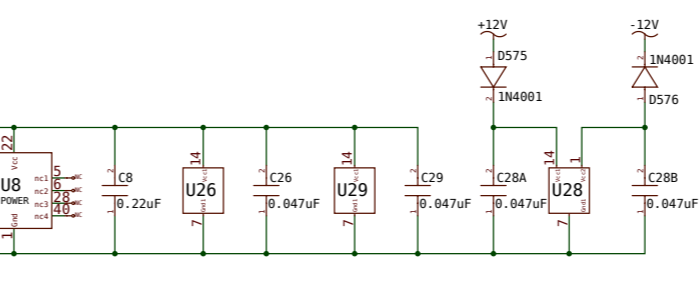
INTERNAL FLOPPY



FLOPPY POWER



EXTERNAL FLOPPY



DECOUPLING

KEYBOARD TAIL

CN13

KEYBOARD MPU

U13

68HC05C
KEYBOARD
MICRO

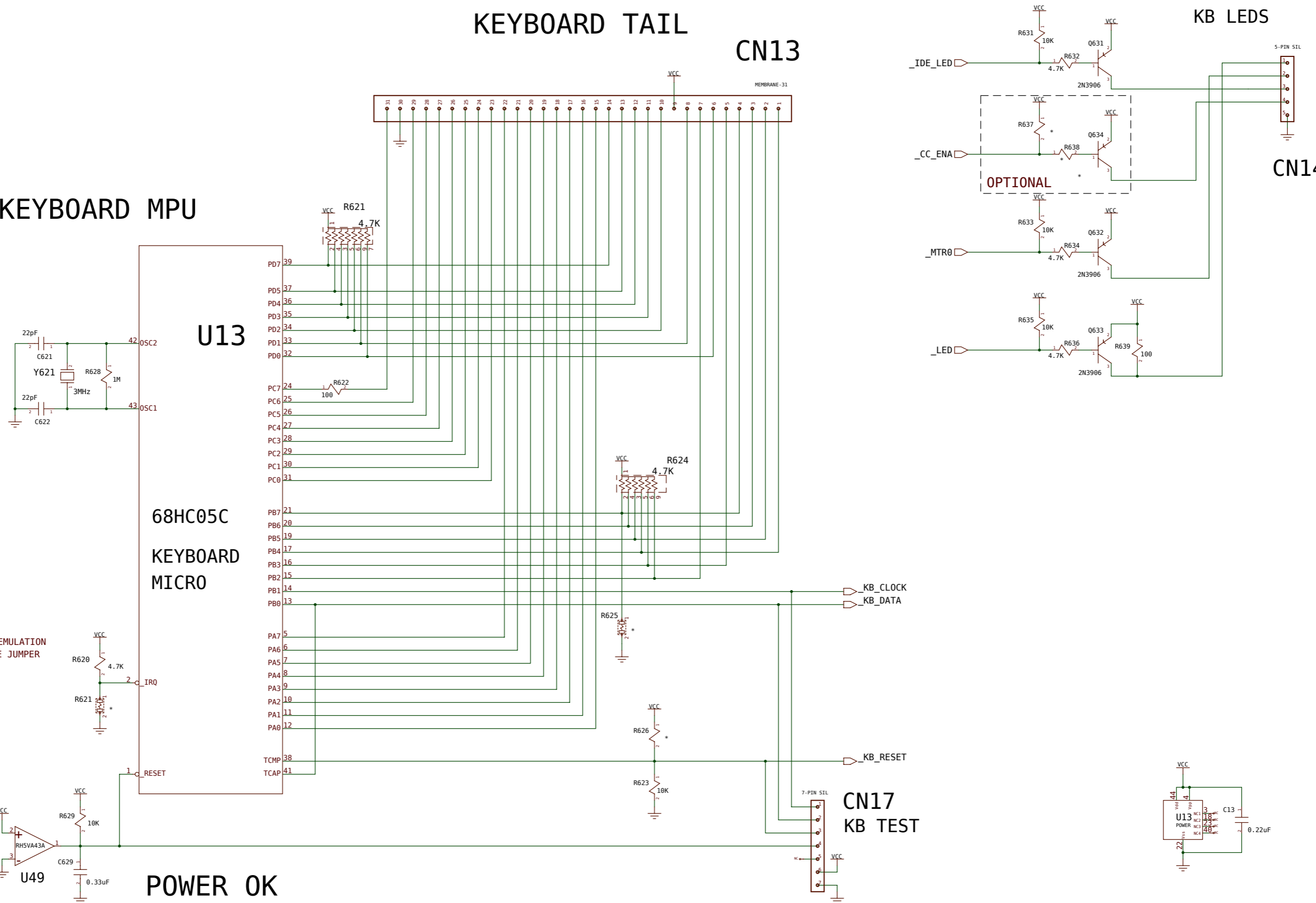
POWER OK

KB LEDS

CN14

CN17
KB TEST

N.P. EMULATION
ENABLE JUMPER



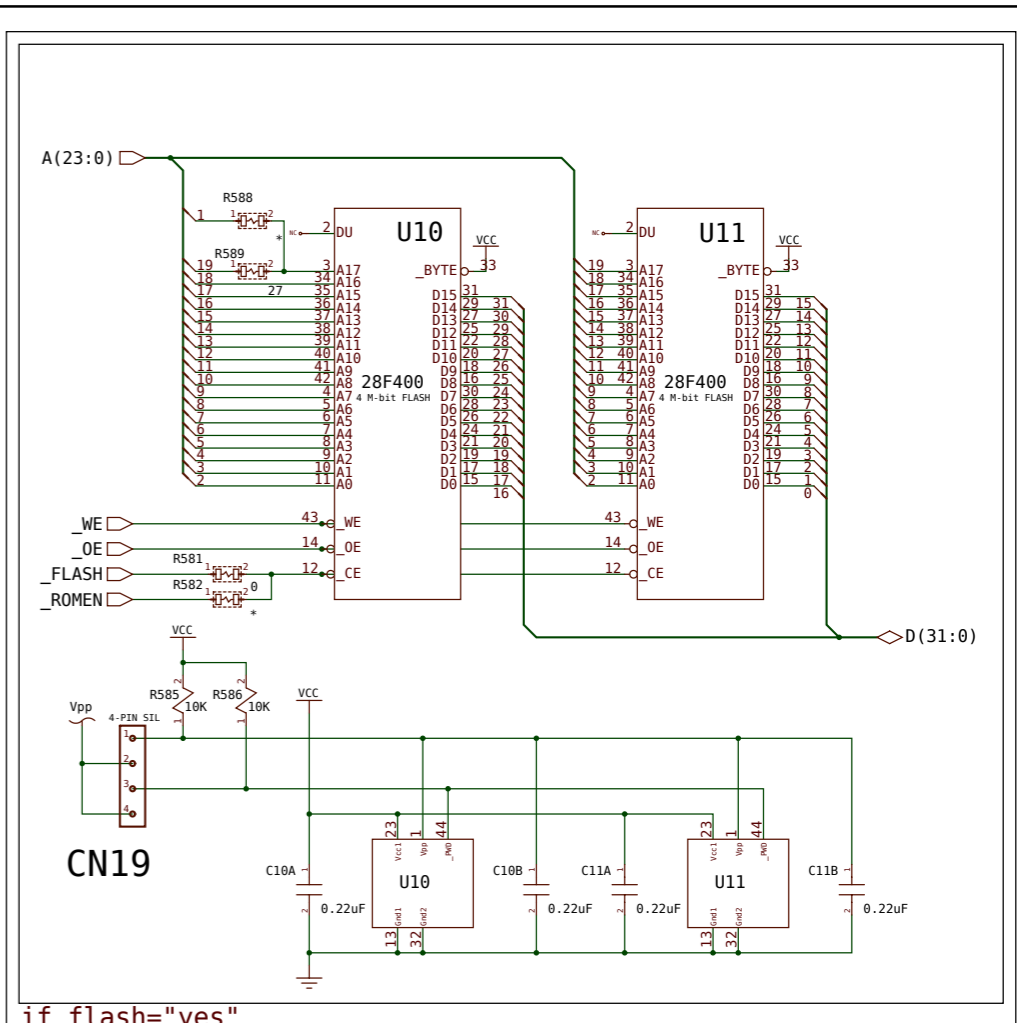
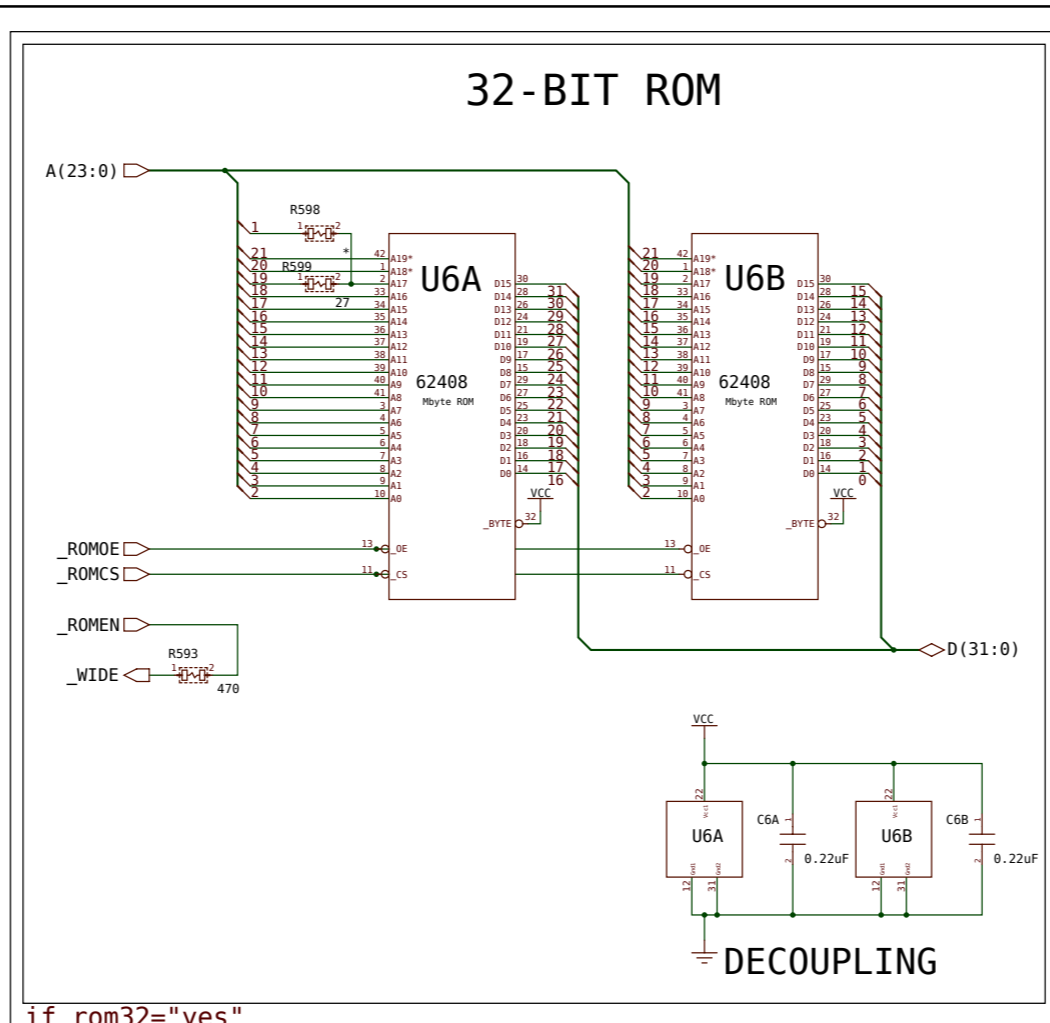
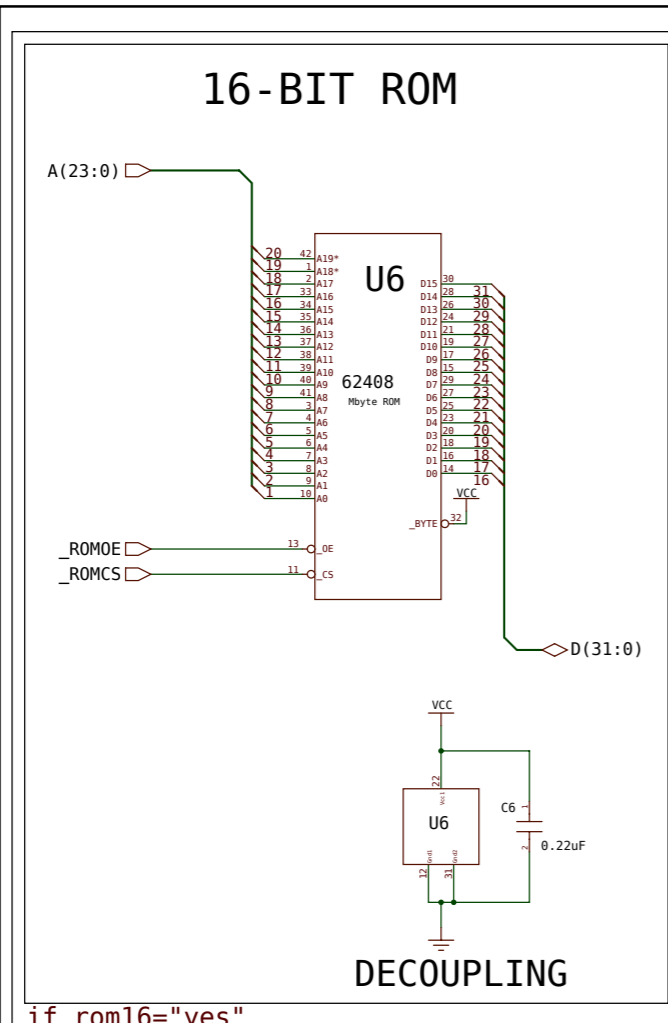
A1200 Rev 2 PCB

Rev 1.00 (06.03.2012)

© rebuild for www.amigawiki.org · for private use only

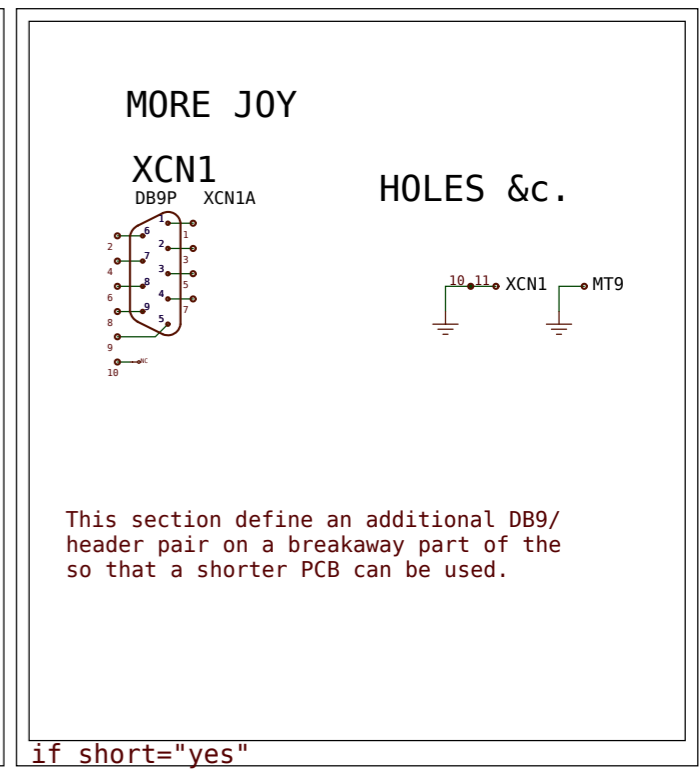
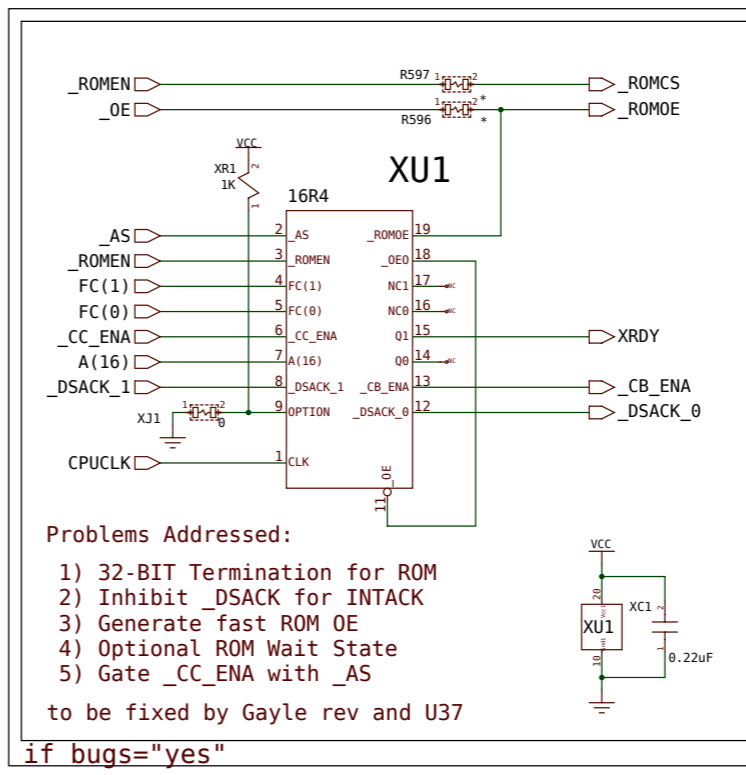
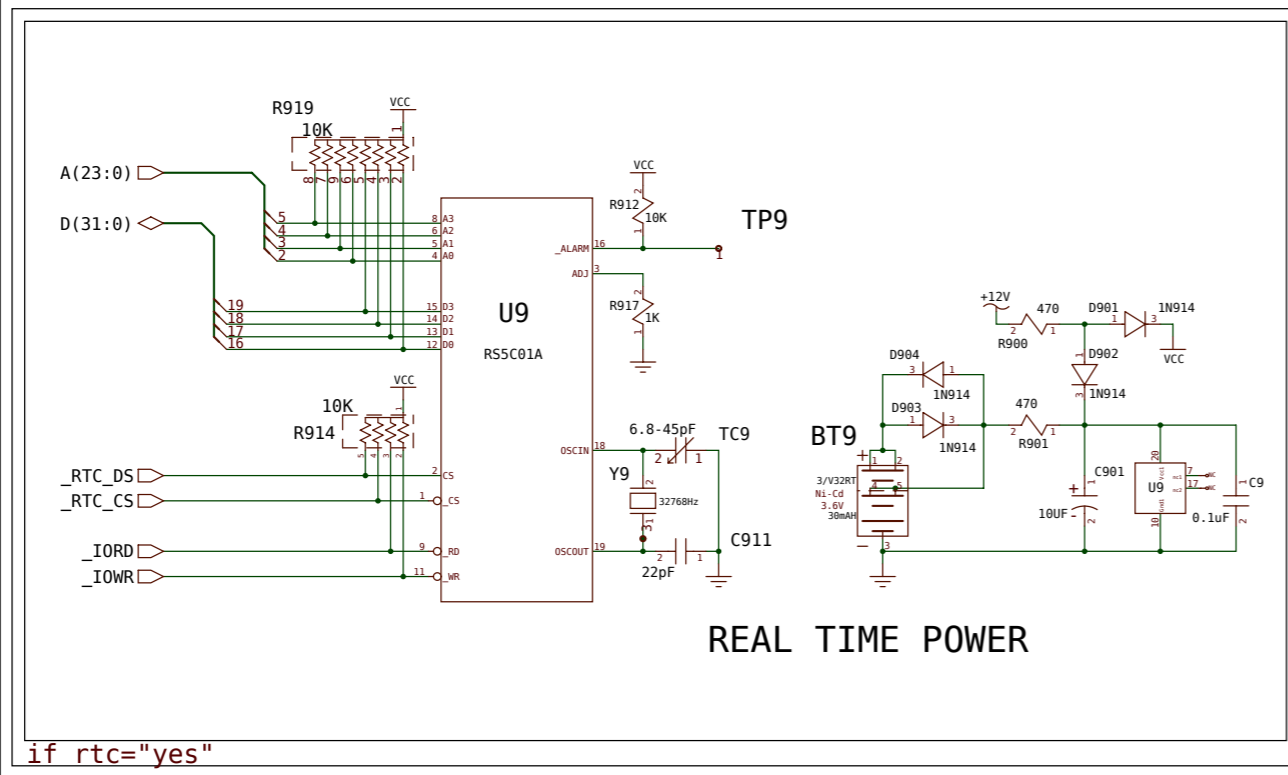
THE NEW HOME OF THE KEYBOARD VIRUS

DESIGN BY: G. Robbins	DATE: 03/22/92	Commodore Schematic A1200 R2 C/A1200 Main Board "Channel Z"
ORIG: 208	REV: 01/21/92	
LAST: 208	REV: 01/21/92	SIZE: C 365133
USID OR: C/A1200	NEXT ASSY: 365132	REV: A
C.A.D. Generated		SCALE: SHEET 9 OF 13
No manual changes may be made to this document		PATH: /project/a300/channel_z/cn2_sheet9



16 AND 32-BIT SOCKETS MAY OVERLAP!

OPTIONAL FLASH MEMORY

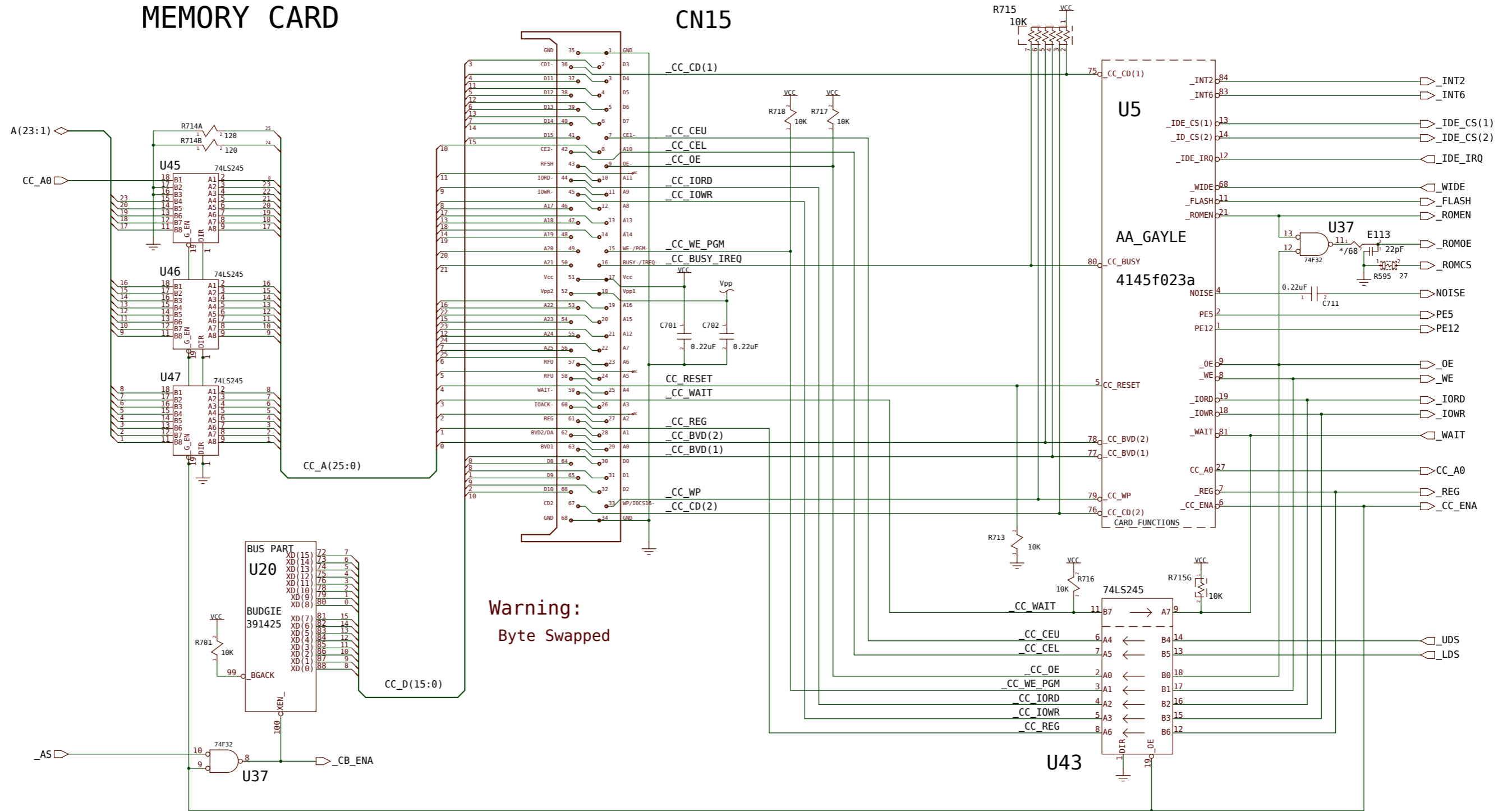


OPTIONAL REAL-TIME CLOCK/CALENDAR

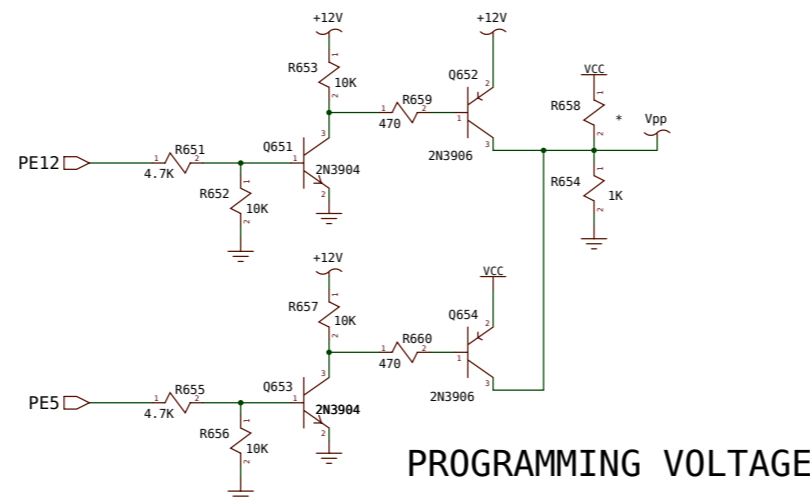
BUGGERY

SHORT PCB TRIX

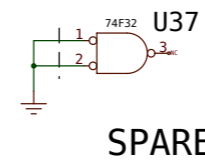
MEMORY CARD



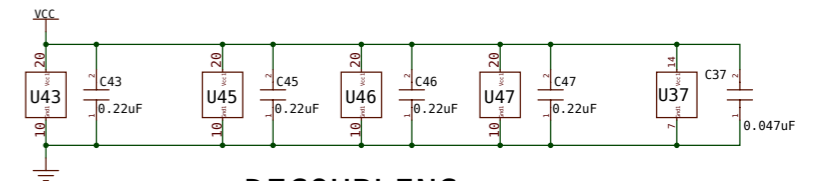
Warning:
Byte Swapped



PROGRAMMING VOLTAGE



SPARE



DECOUPLING

A1200 Rev 2 PCB

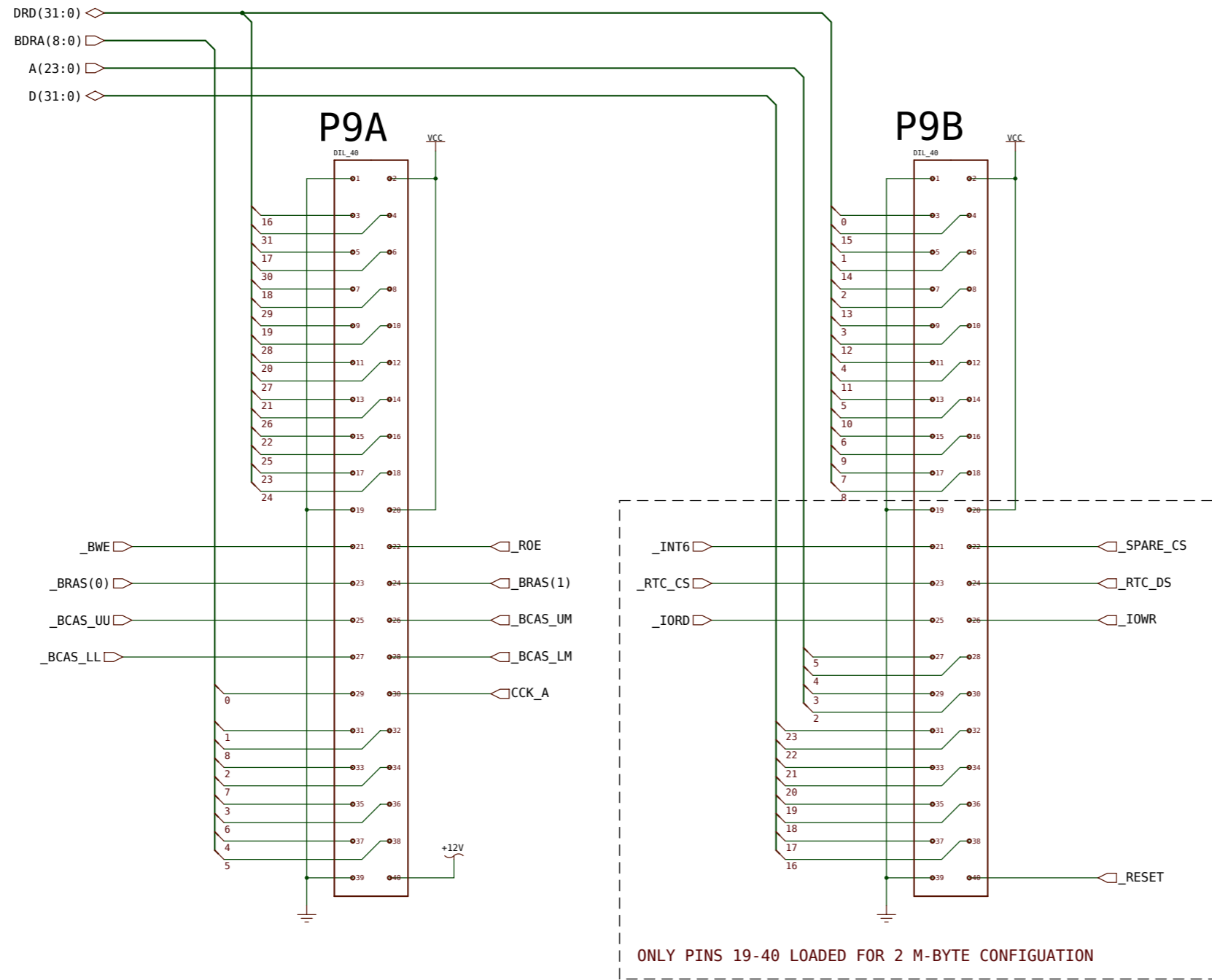
Rev 1.00 08/04/2013

© rebuild for www.amigawiki.org · for private use only

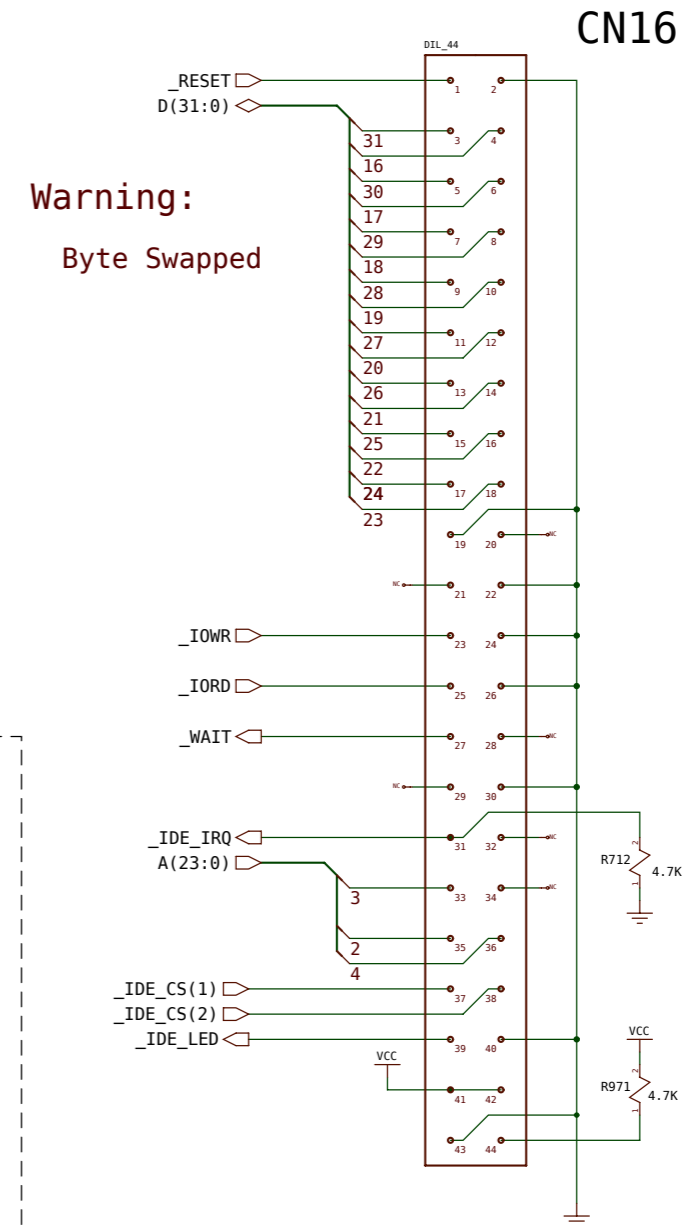
THE KISSY FACE CREDIT CARD MONSTER

DESIGN BY: G. Robbins	DATE: 03/22/92	Commodore
DESIGN: 308	REV: 01/11/92	
LAST: 001	REV: 01/11/92	Schematic A1200 R2
CMO: 000	REV: 01/11/92	C/A1200 Main Board
APPR: 000	REV: 01/11/92	"Channel Z"
USED ON: C/A1200	NEXT ASSY: 365132	SIZE: A
C/A1200	365132	SHEET: 11
C.A.D. Generated	SCALE: 1:1	REV: 13
No manual changes may be made to this document	PATH: /project/a1200/channel_z.cn2_ssheet11	

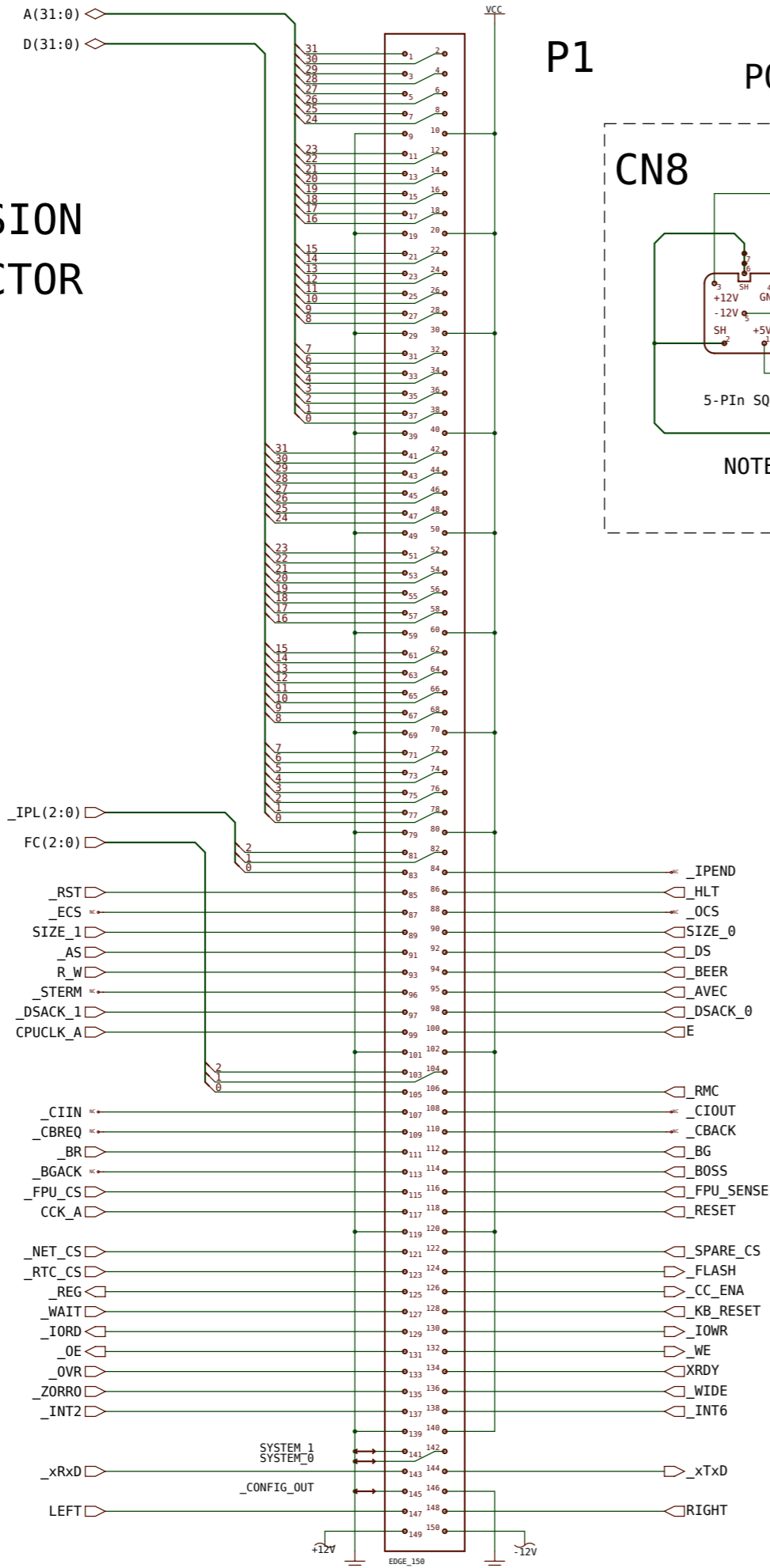
MEMORY EXPANSION



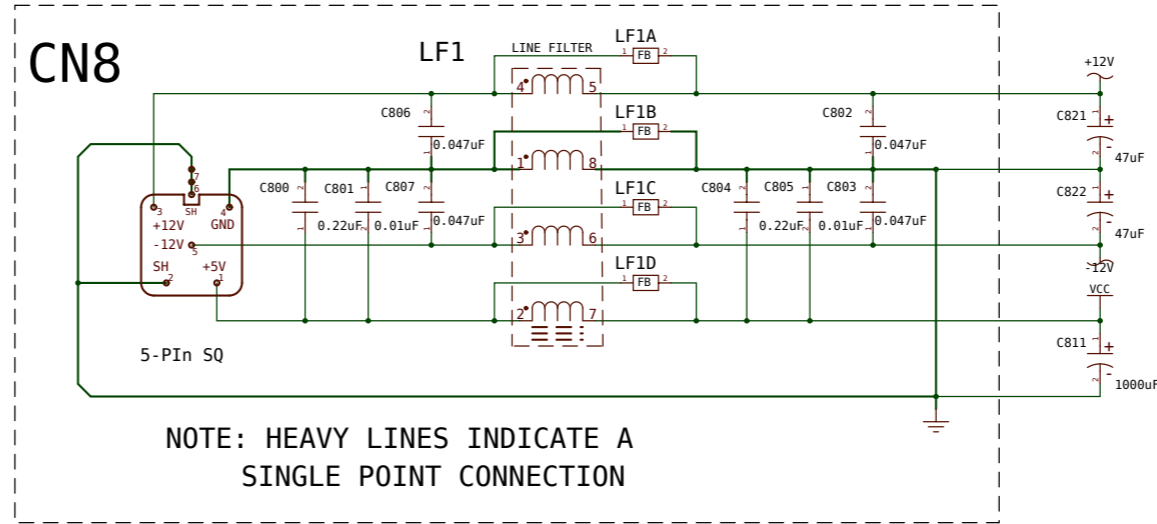
IDE DRIVE



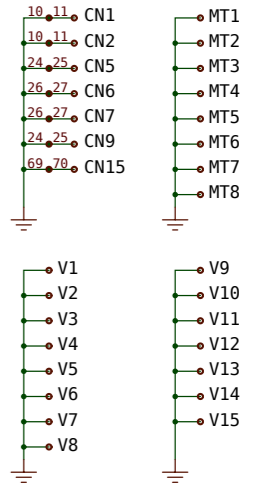
EXPANSION CONNECTOR



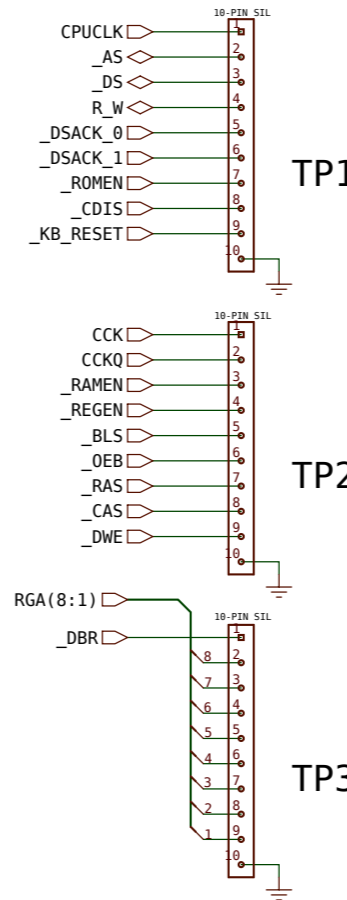
P1 POWER INPUT FILTER



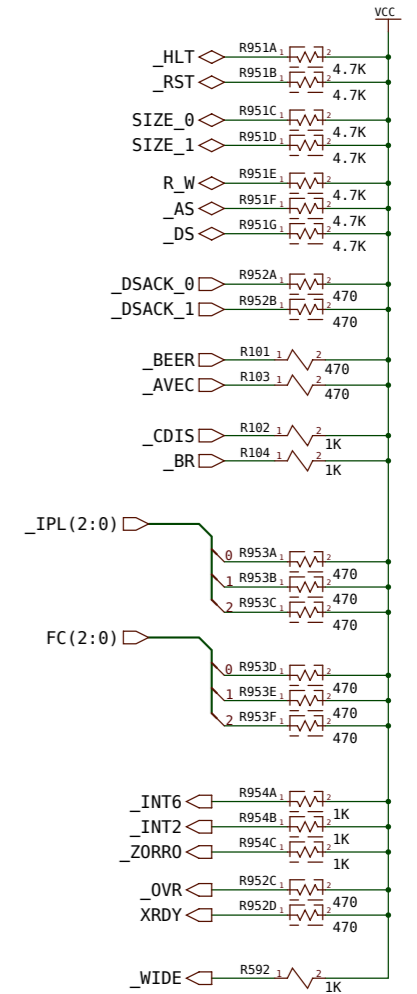
HOLES &c.



TEST ACCESS

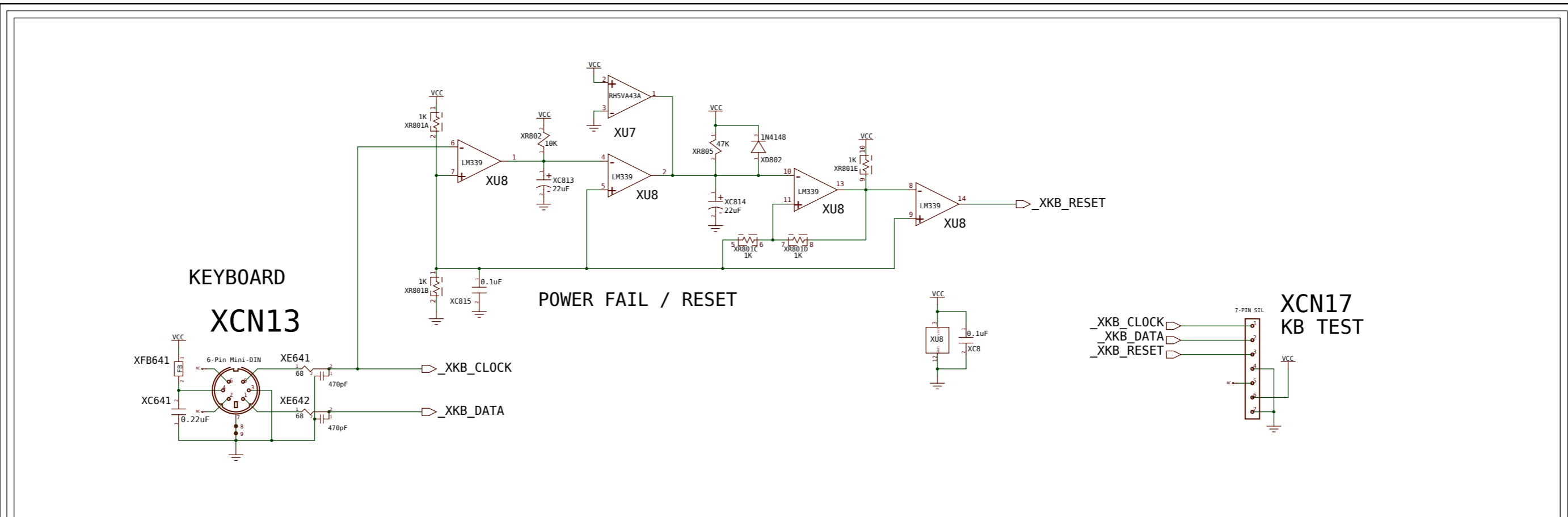


TERMINATION

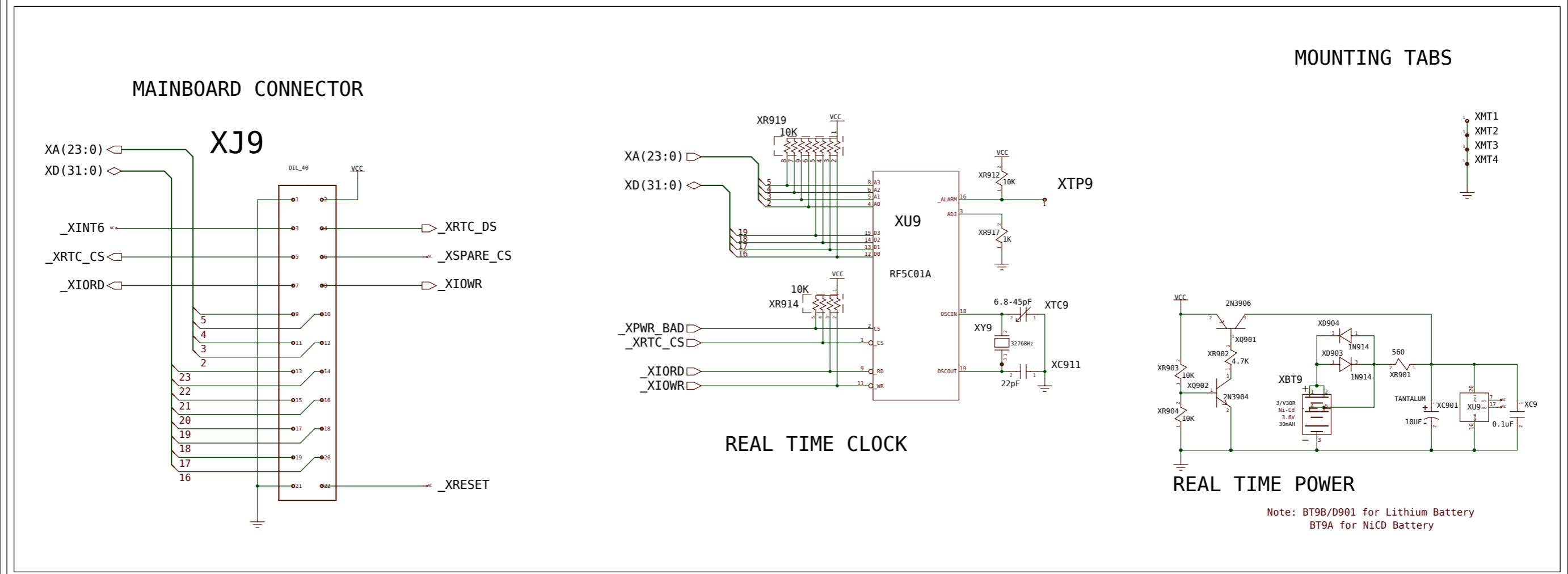


System Configuration Bits

SYSTEM	1	0	CPU/CPUCLK
0	0	0	EC020/14MHZ
0	1	0	020/14MHZ
1	0	0	030/14MHZ
1	1	1	030/>14MHZ



IF KBTEST="YES"

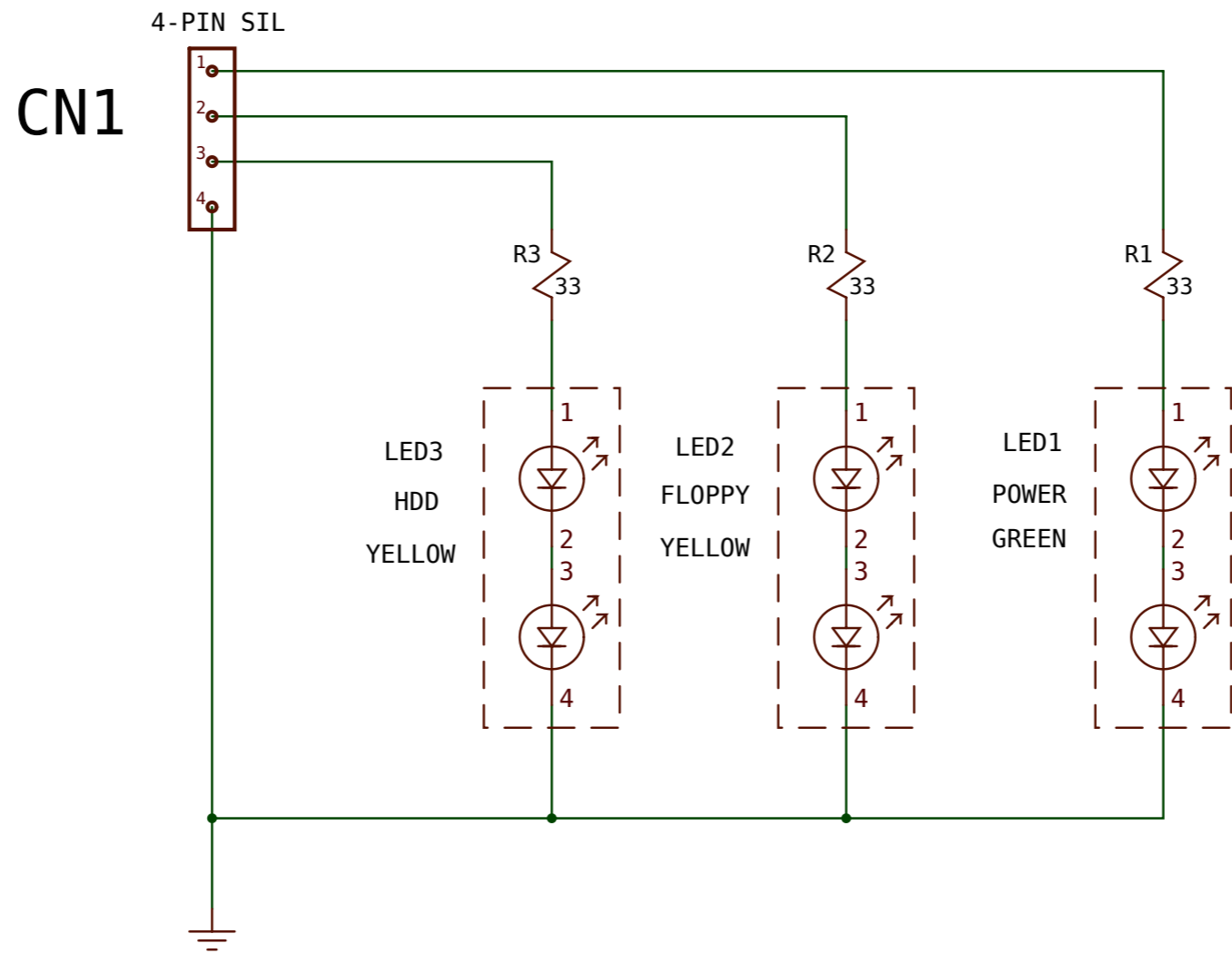


IF EXTRTC="YES"

A1200 Rev 2 PCB

© 1991 Commodore Business Machines Information contained herein is the unpublished, confidential and trade secret property of Commodore Business Machines, Inc. Any use, reproduction or disclosure of this information without the prior written permission of Commodore is strictly prohibited.		Commodore Schematic A1200 R2 C/A1200 Main Board Channel Z	
C.A.D. Generated No manual changes may be made to this document	BREAKAWAY PCB RTC OPTION DESIGN BY: G. Robbins DATE: 03/21/92 DRAWN: GBR CHECKED: GBR APPROVED: GBR USED ON: C/A1200 NEXT ASSY: 364718	SCALE: C SIZE: 364717 SHEET: 2 OF: 13	FILE: /project/a1200/channel_z.cw2_sheet13

REVISIONS				
REV	DESCRIPTION	DATE	APRVL	MANAGER
1	ADVANCE ENGINEERING RELEASE			




A1200 LED PCB ASSEMBLY REV1

SHINE ON, SHINE ON

© 1991 Commodore Business Machines
 Information contained herein is the unpublished,
 confidential and trade secret property of
 Commodore Business Machines, Inc. Any use,
 reproduction or disclosure of this information
 without the prior written permission of
 Commodore is strictly prohibited.

C.A.D. Generated
 No manual changes may be made to this document

	DESIGN BY: B. FENIMORE	DATE 7/21/92	Commodore SCHEMATIC A1200 LED ASSY
	DRAW: BAF	7/21/92	
	LAST: BAF	7/21/92	
	CHKD:		
	APPR:		
USED ON A1200	NEXT ASSY 364963		
SIZE A	364966	REV 1	
SCALE	SHEET 1 OF 1		

PATH: /user/fenimore/AA600/Led assy sheet1

Rev. 1.38 (06.09.2012)